

1. Applications

EUROFLEX® is a revolutionary development in the field of interactive playing equipment's.

Children's learn playfully to generate their own energy. This energy will be transferred to the slabs and generate light effects that stimulate the children to move to the points in the right colour sequence.

Up to 50 square meter running zone. Motivates children to run and increase their (reaction) speed. The set contains 4 or 8 illuminating and shock sensitive rubber tiles. Power is generated by turning the crank of the hemisphere. After powering a rubber tile will illuminate. When the player kicks this tile another one will illuminate and so on.

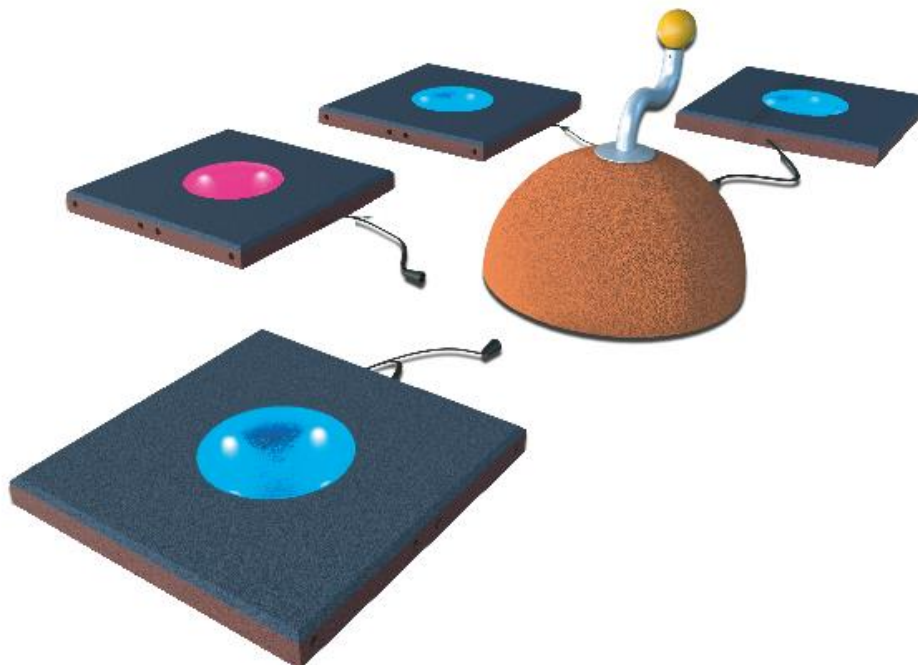
The software will adapt to the skill of the player. If the player or players are fast, the game will increase its speed. If the player isn't able to keep up with the game, the game will adjust to the player. The hemisphere is used to generate the power but will also give audio feedback to the user.

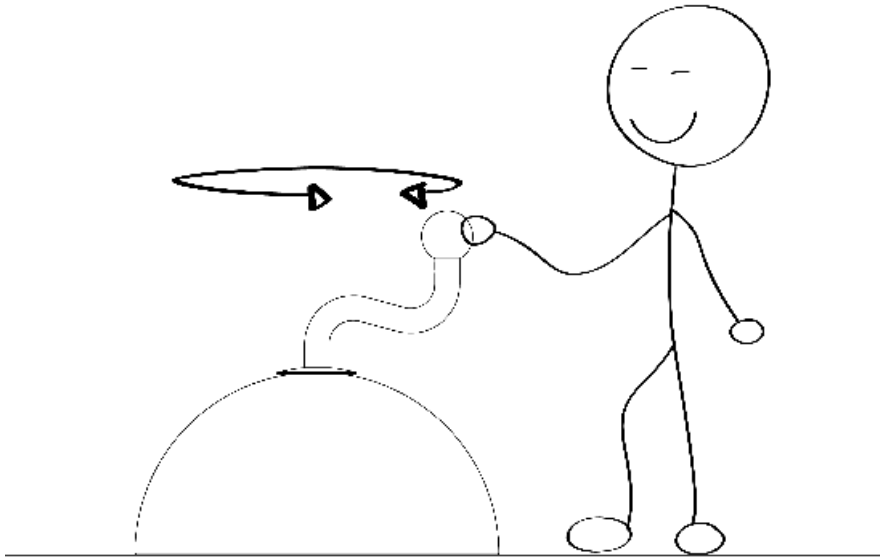
The products combine shock absorption flooring elements with interactive playing happiness on a high technical and quality level.

This energy works in the low voltage range and is absolute non-dangerous.

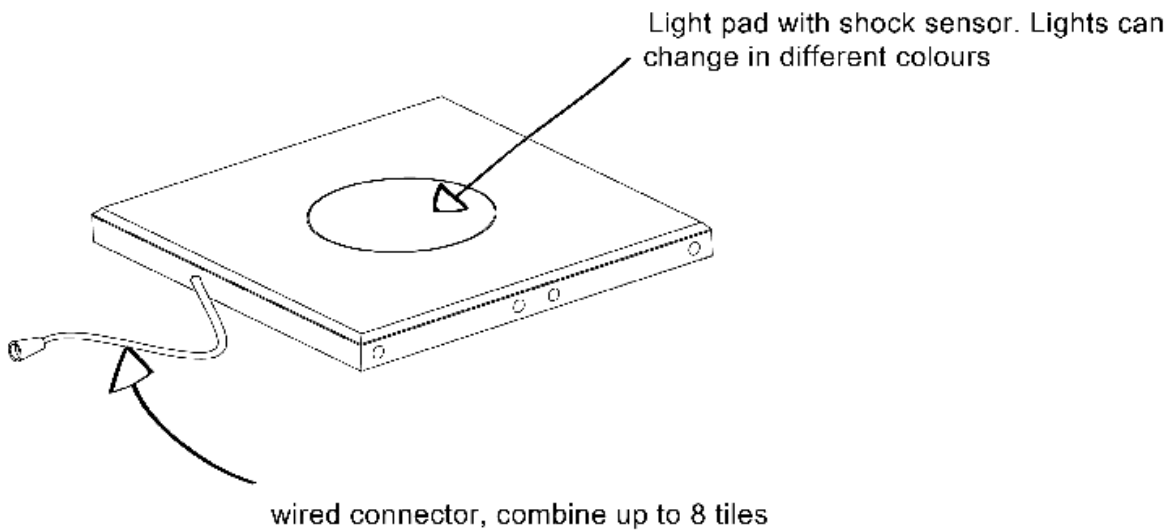
Inserting or changing a battery is not applicable.

This playing equipment is absolute easy to maintain and can be installed indoor or outdoor.



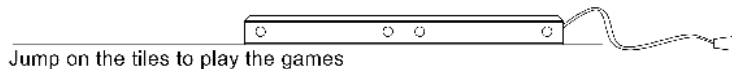


Turn the crank to generate energy.
Charge your games!



All information without guarantee, subject to change. The Data Sheet is not subject to any change service.
Each current and valid from can be recalled at www.kraiburg-relastec.com/euroflex

page 2 von 6



2. Material

Energy element:	Metal base body stainless steel
Covering:	EPDM rubber granulate
Binding Agent:	MDI Polyurethane
Playing slabs:	
Rubber granulate:	sub-construction: rubber recycling granulate covering: EPDM rubber granulate
Binding Agent:	MDI Polyurethane
Light elements	

3. Product Design Slabs

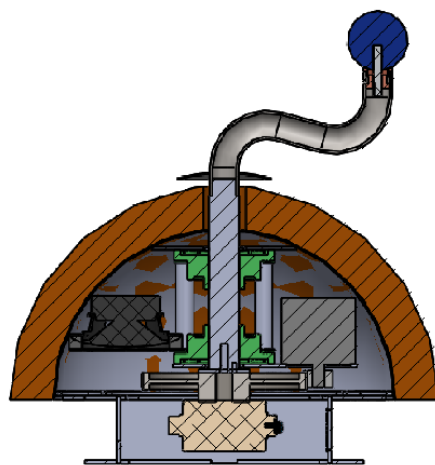
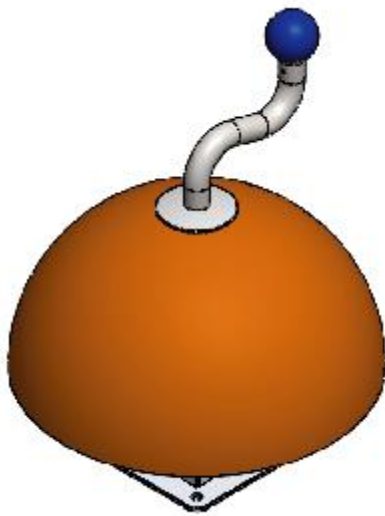
colour:	sub construction: red
Covering:	EPDM RAL 5015
Sub construction:	smooth with open pores
Unterseite:	ducts for drainage
Edging:	bevelled
Other data:	plastic connector pins included (minor colour variations and/or fading possible)

All information without guarantee, subject to change. The Data Sheet is not subject to any change service.
Each current and valid from can be recalled at www.kraiburg-relastec.com/euroflex

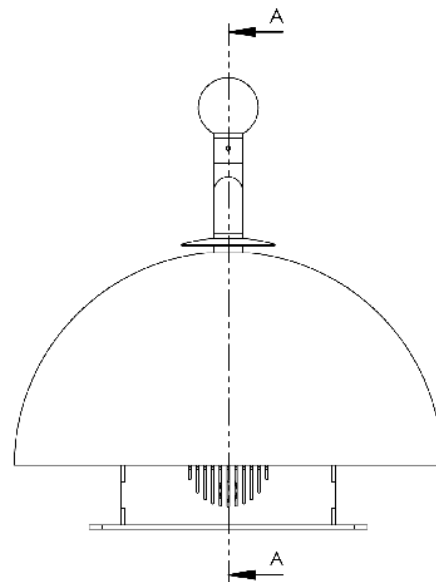
page 3 von 6

Product design energy element:

Sphere stainless steel with EPDM RAL 3017 coated:



SECTION A-A

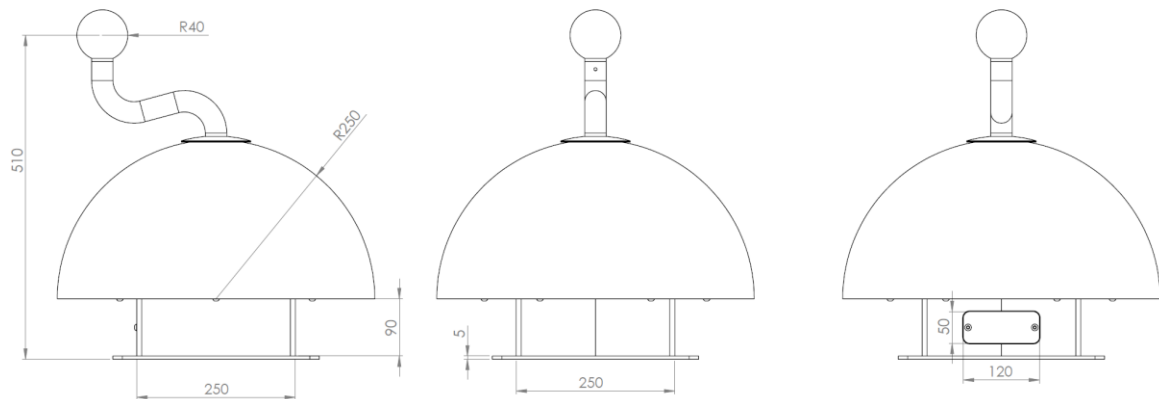


All information without guarantee, subject to change. The Data Sheet is not subject to any change service.
Each current and valid from can be recalled at www.kraiburg-relastec.com/euroflex

page 4 von 6

4. Dimension/ Tolerance

Energy element:



Weight: approx.. 41,0 kg
 Dimension Slab: 500 x 500 x 30 mm
 Weight: approx. 6,3 kg/piece
 1 set: 4 slabs, add-on until 4 slabs

Tolerance: Length, width: +/- 0,8%, thickness: +/- 2mm

5. Test data

Certified in accordance with DIN EN 1176-1:2008, EN 1176-1:2008
EMC DIN EN 55014-1:2012
EMC DIN EN 55014-2:2016
Electrical safety

Production facility inspection

“Human Power Kit”

Electricity

- Maximum voltage: **18 V**
- Maximum current: **0.5 A**
- Maximum power: **9 W**
- Power Rating speaker (RMS) **20 W**
- Output sensitivity speaker **85 dB**
- IP rating electronics **IP66 Waterproof in accordance with EN 60529 (VDE 0470)**

All information without guarantee, subject to change. The Data Sheet is not subject to any change service.
Each current and valid from can be recalled at www.kraiburg-relastec.com/euroflex

page 6 von 6